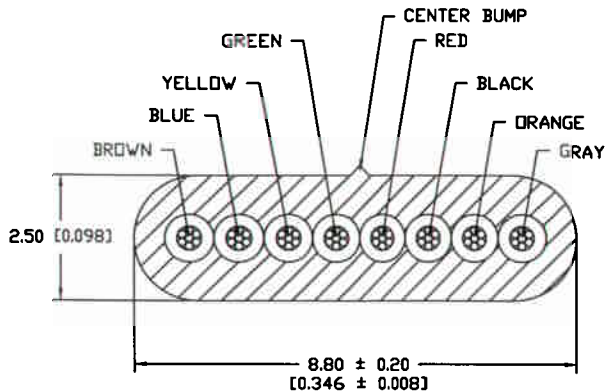
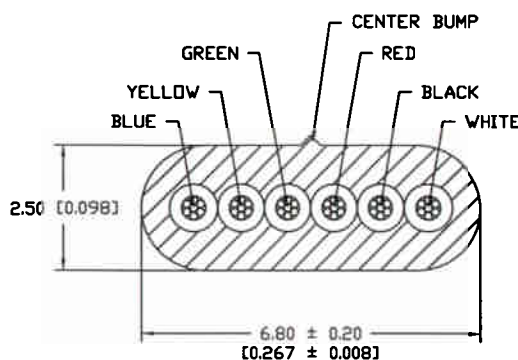


THESE DRAWINGS AND SPECIFICATIONS ARE THE SOLE PROPERTY OF I/O INTERCONNECT INC., U.S.A. AND SHALL NOT BE REPRODUCED, COPIED, OR USED IN ANY MANNER WITHOUT THE PRIOR WRITTEN CONSENT OF I/O INTERCONNECT INC. OR ITS AFFILIATED SUBSIDIARIES.

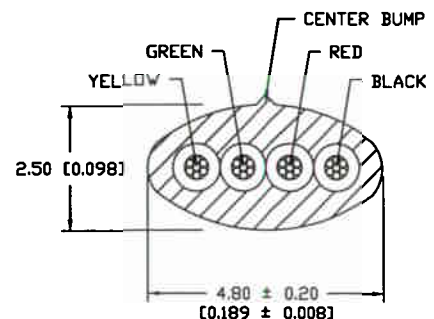
DWG. NO.	ZONE	REV.	DESCRIPTION	DATE	APPROVED
X10-0X2		0	ECN C682	07/24/02	P.S.
		P	ADD NOTE & CHANGE P/N TO REFLECT ROHS COMPLIANT, CHANGE PACKAGING SPEC. PER ACTUAL DATA PER ECN D822	04/14/05	M.G.



**8 CONDUCTOR CABLE**



**6 CONDUCTOR CABLE**



**4 CONDUCTOR CABLE**

NOTES: UNLESS OTHERWISE SPECIFIED.

**1.0 MATERIAL AND SPECIFICATIONS**

1.01 CONDUCTORS: 26 AWG (12/0.12 mm) STRANDED BARE COPPER.

1.02 INSULATION: POLYPROPYLENE

1.03 COLOR: PER CALLOUT

1.04 PACKAGING: (SEE PAGE 2)

**2.0 ELECTRICAL CHARACTERISTICS**

2.01 TEMPERATURE & VOLTAGE RATING: 80°C 30 V

2.02 CONDUCTORS RESISTANCE: 148 OHMS/KM MAX. AT 20°C

2.03 INSULATION RESISTANCE: 100 MEGOHMS/KM MIN. AT 20°C

2.04 CAPACITANCE: 15 PF/FT (MAX)

2.05 DIELECTRIC TEST: AC-500V PER 1 MINUTE

3.0 PLACE BAR CODE LABEL ON THE OUTSIDE OF EACH SHIPPING BOX LABEL DETAIL SEE DWG 090-990-001. FOR CUSTOMER CODE 4DGK ONLY.

4.0 PART TO BE ROHS COMPLIANT.

GLF-121-410-002	4	SILVER SATIN	[0.551 ± 0.039] 14.00 ± 1.00
GLF-121-410-012	4	BLACK	[0.551 ± 0.039] 14.00 ± 1.00
GLF-121-410-022	4	WHITE	[0.551 ± 0.039] 14.00 ± 1.00
GLF-121-610-002	6	SILVER SATIN	[0.551 ± 0.039] 14.00 ± 1.00
GLF-121-610-012	6	BLACK	[0.551 ± 0.039] 14.00 ± 1.00
GLF-121-610-022	6	WHITE	[0.551 ± 0.039] 14.00 ± 1.00
GLF-121-810-002	8	SILVER SATIN	[0.748 ± 0.039] 19.00 ± 1.00
GLF-121-810-012	8	BLACK	[0.748 ± 0.039] 19.00 ± 1.00
GLF-121-810-022	8	WHITE	[0.748 ± 0.039] 19.00 ± 1.00
I/O INTERCONNECT PART NUMBER	NUMBER OF CONDUCTORS	COLOR	Ø 'A'

THIRD ANGLE PROJECTION

UNLESS OTHERWISE NOTED:  
1) DIMENSIONS ARE IN MILLIMETER (INCHES)  
2) TOLERANCES:  
X.X ± 0.20 [0.08]  
X.XX ± 0.10 [0.04]

**I/O INTERCONNECT**  
SANTA ANA, CALIFORNIA

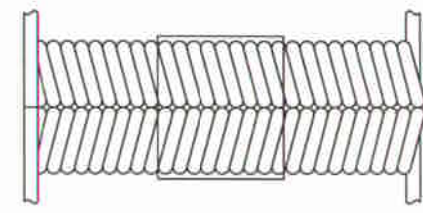
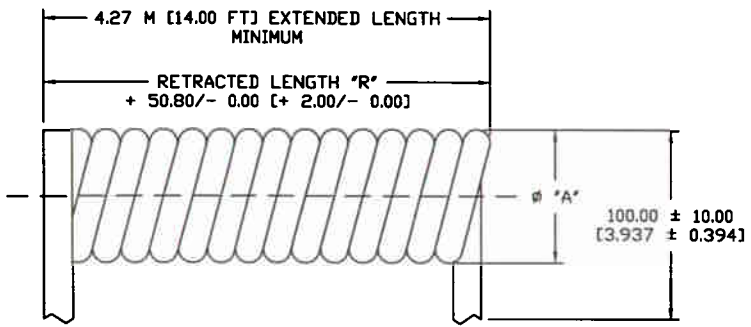
DR. BY: JERRY SUN 04/14/05  
DR. CHECKED: \_\_\_\_\_  
REV. P

TITLE: 26 AWG (12/0.12 mm) BARE COPPER, 14.00 FT EXTENDED, NON-UL, UNSHIELDED, MODULAR CABLE

PART NO: GLF-121-X10-0X2  
DWG NO: GLF-121-X10-0X2  
CUSTOMER: I/O INTERCONNECT  
SCALE: NONE  
SHEET 1 OF 2

THESE DRAWINGS AND SPECIFICATIONS ARE THE SOLE PROPERTY OF I/O INTERCONNECT INC. U.S.A. AND SHALL NOT BE REPRODUCED, COPIED, OR USED IN ANY MANNER WITHOUT THE PRIOR WRITTEN CONSENT OF I/O INTERCONNECT INC. OR ITS AFFILIATED SUBSIDIARIES.

DWG. NO.	ZONE	REV.	DESCRIPTION	DATE	APPROVED
X10-0X2		0	ECN C682	07/24/02	P.S.
		P	ADD NOTE & CHANGE P/N TO REFLECT RGS COMPLIANT. CHANGE PACAGING SPEC. PER ACTUAL DATE PER ECN D822	04/14/05	M.G.



NOTES: UNLESS OTHERWISE SPECIFIED.

1.0 PACKAGING SPECIFICATION

- 1.01 USE CLEAR TAPE TO BUNDLE 25 CABLES TOGETHER AT THE MID SECTION.
- 1.02 PLACE PLASTIC BAG IN SHIPPING BOX, SEE TAB BLOCK FOR PACKAGING QUANTITY PER SHIPPING BOX. CLOSE PLASTIC BAG AND SEAL BOX ALONG 3 SURFACES WITH TAPE.

CONDUCTORS	MILLIMETERS	INCHES	DIMENSION MAX.	PACKAGING QUANTITY
4	863.60	[34.000]	L=13.00" X W=40.00" X H=9.00"	10 BUNDLE, 250 PCS
6	1117.60	[44.000]	L=13.00" X W=50.00" X H=9.00"	10 BUNDLE, 250 PCS
8	1270.00	[50.000]	L=13.00" X W=55.00" X H=9.00"	5 BUNDLE, 125 PCS
NUMBER OF	RETRACTED LENGTH "R"		OUTSIDE SHIPPING BOX	PER SHIPPING BOX

THIRD ANGLE PROJECTION

UNLESS OTHERWISE NOTED:  
1) DIMENSIONS ARE IN MILLIMETER (INCHES)  
2) TOLERANCES:  
X.X ± 0.20 (.008)  
X.XX ± 0.10 (.004)

**I/O INTERCONNECT**  
SANTA ANA, CALIFORNIA

DR. BY: JERRY SUN	DATE: 04/14/05	TITLE: 26 AWG (12/0.12 mm) BARE COPPER, 14.00 FT EXTENDED, NON-UL, UNSHIELDED, MODULAR CABLE.
DR. CHECKED:		PART NO: GLF-121-X10-0X2
REV:		DWG NO: GLF-121-X10-0X2
ENGINEER:		CUSTOMER: I/O INTERCONNECT
DATE/SALES:		REV. P
SA:		SCALE: NONE SHEET 2 OF 2